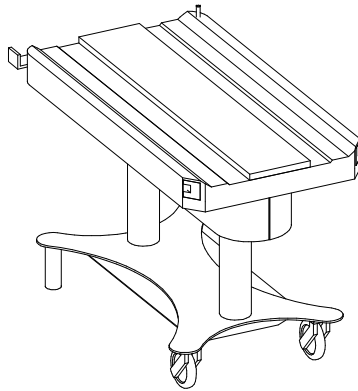




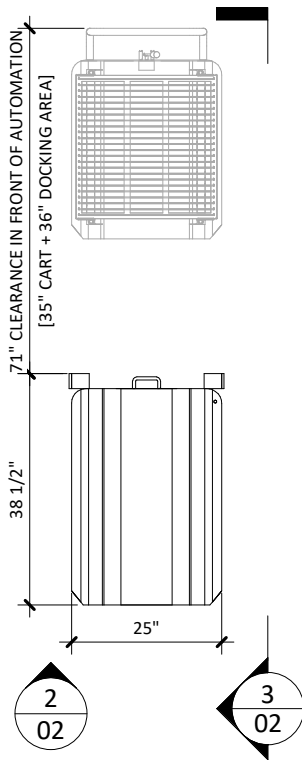
① **TS16 - 606**
 FOR USE WITH A MST-V 606
 STERILIZER



② **TS16 - 609**
 FOR USE WITH A MST-V 609
 STERILIZER



③ **TS16 - 6012**
 FOR USE WITH A MST-V 6012
 STERILIZER



AUTOMATION WEIGHT: 143.3 lbs

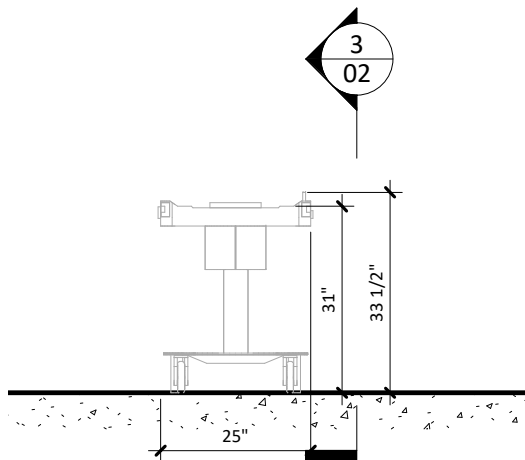
AUTOMATION MAX LOAD: 209.4 lbs

NOTE: AUTOMATION MODULE OPERATES WITH COMPRESSED AIR AND ELECTRICITY DERIVED FROM INTERNAL CONNECTIONS TO STERILIZER. SEE STERILIZER CUT SHEET FOR UTILITY REQUIREMENTS.

EQUIPMENT PLACEMENT PLAN -

TS16 606

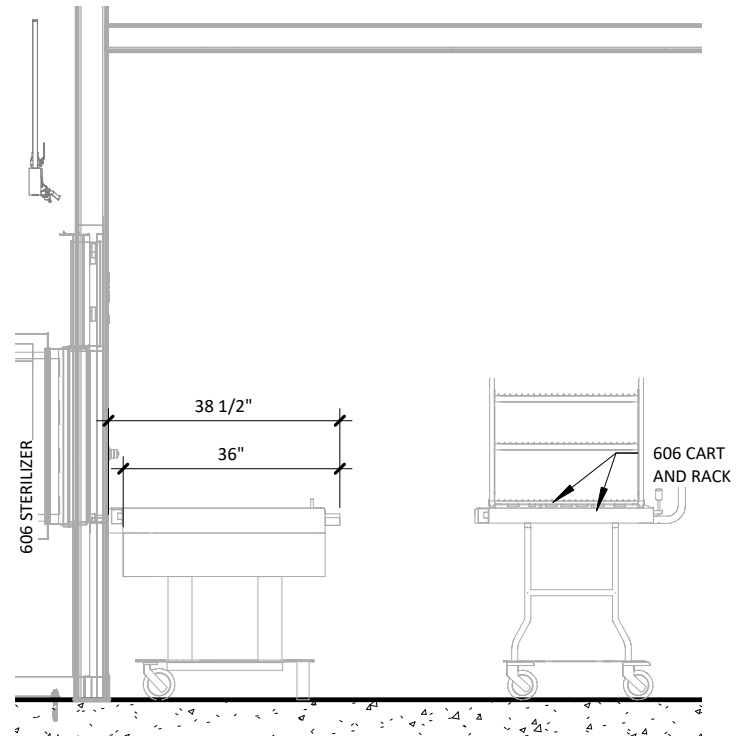
① 3/8" = 1'-0"



EQUIPMENT FRONT ELEVATION -

TS16 606

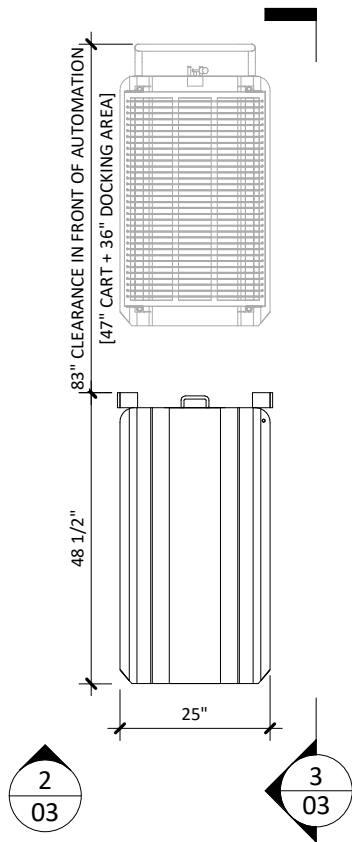
② 3/8" = 1'-0"



EQUIPMENT SIDE ELEVATION -

TS16 606

③ 3/8" = 1'-0"

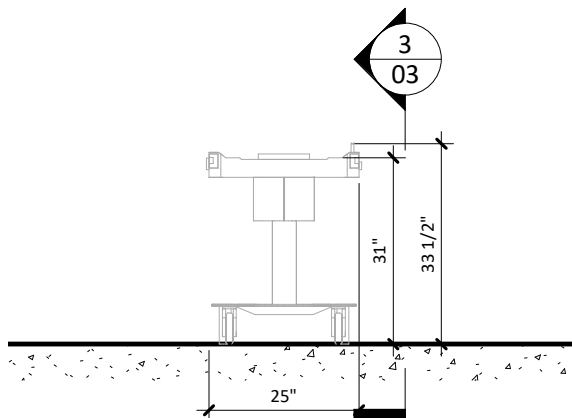


AUTOMATION WEIGHT: 176.4 lbs

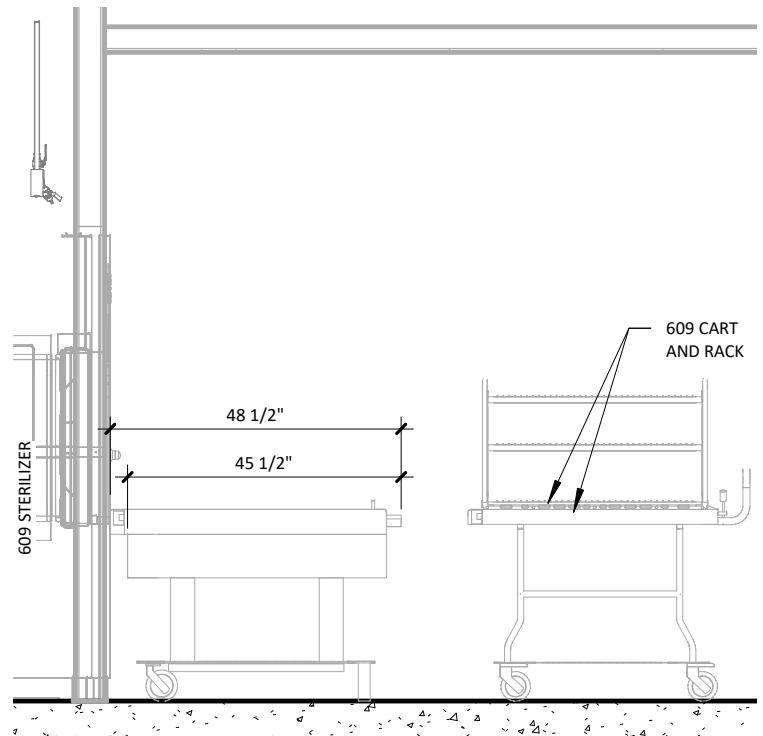
AUTOMATION MAX LOAD: 297.6 lbs

NOTE: AUTOMATION MODULE OPERATES WITH COMPRESSED AIR AND ELECTRICITY DERIVED FROM INTERNAL CONNECTIONS TO STERILIZER. SEE STERILIZER CUT SHEET FOR UTILITY REQUIREMENTS.

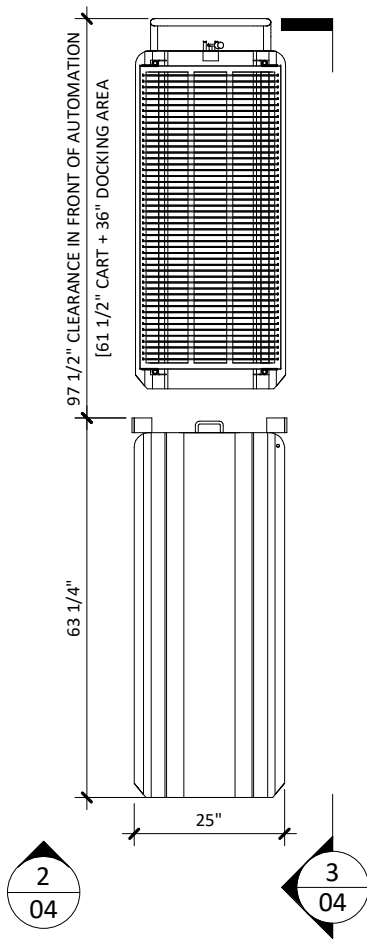
1 EQUIPMENT PLACEMENT PLAN -
TS16 609
3/8" = 1'-0"



2 EQUIPMENT FRONT ELEVATION -
TS16 609
3/8" = 1'-0"



3 EQUIPMENT SIDE ELEVATION -
TS16 609
3/8" = 1'-0"



AUTOMATION WEIGHT: 209.4 lbs

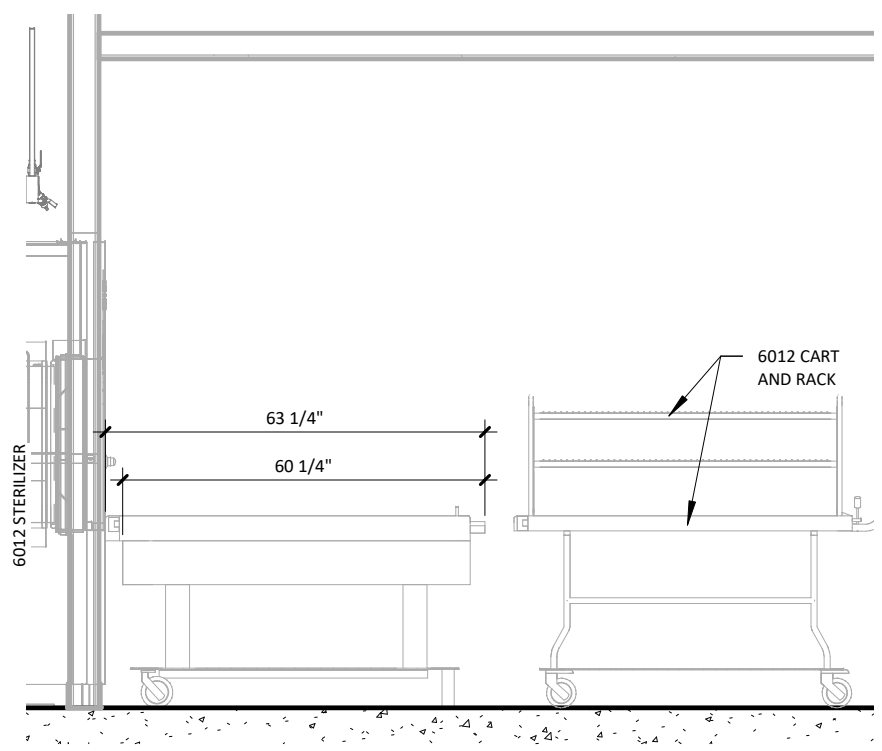
AUTOMATION MAX LOAD: 392.3 lbs

NOTE: AUTOMATION MODULE OPERATES WITH COMPRESSED AIR AND ELECTRICITY DERIVED FROM INTERNAL CONNECTIONS TO STERILIZER. SEE STERILIZER CUT SHEET FOR UTILITY REQUIREMENTS.

EQUIPMENT PLACEMENT PLAN -

TS16 6012
3/8" = 1'-0"

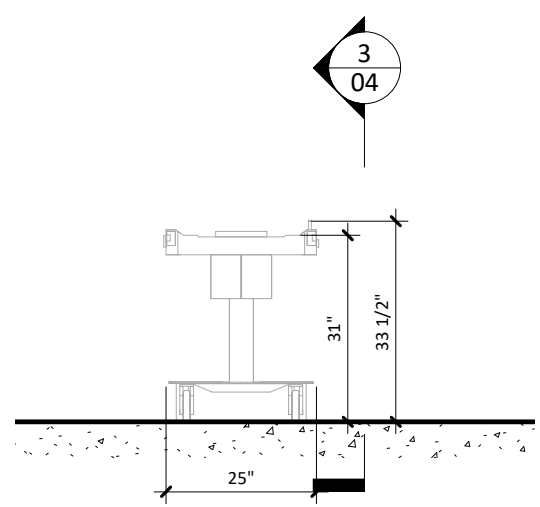
1



EQUIPMENT SIDE ELEVATION -

TS16 6012
3/8" = 1'-0"

3



EQUIPMENT FRONT ELEVATION -

TS16 6012
3/8" = 1'-0"

2