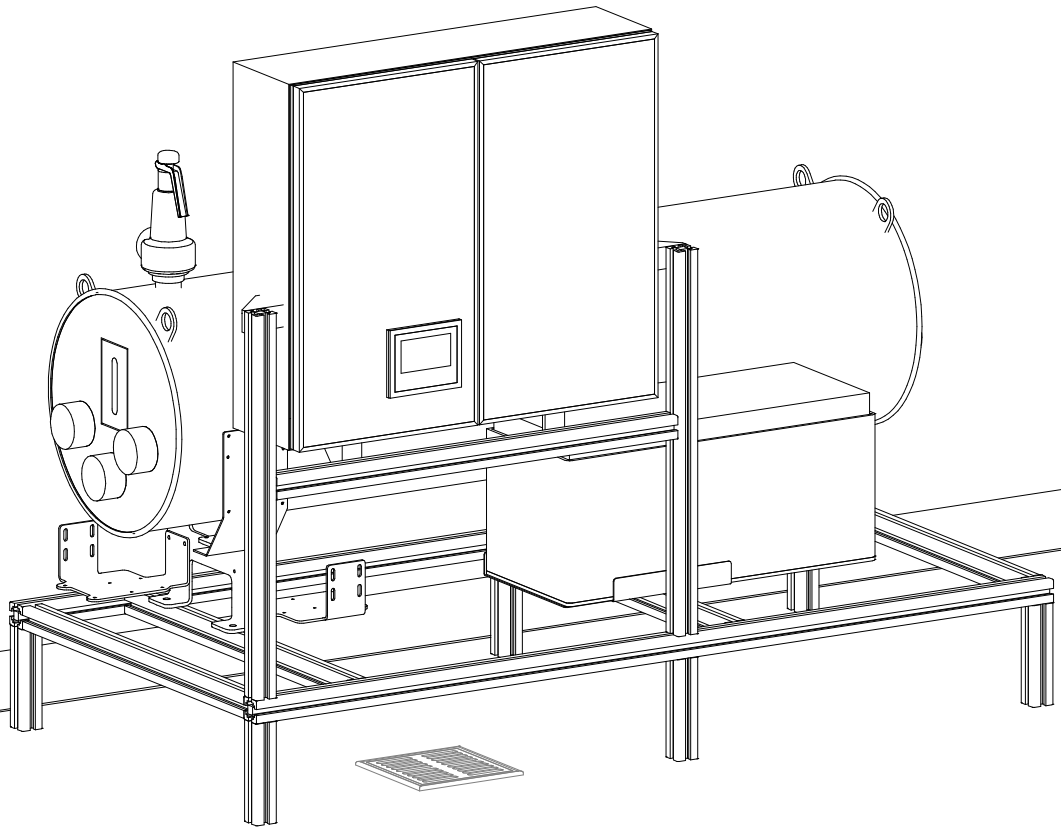



ELECTRIC CONDUIT FOR BOILER,
BY OTHERS

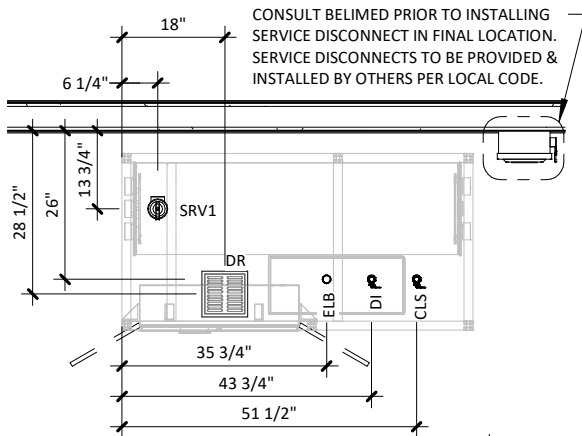
CLEAN STEAM OUTPUT, BY OTHERS

SERVICE DISCONNECT, BY OTHERS

DEIONIZED WATER, BY OTHERS



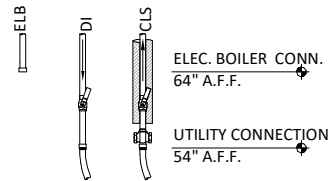
 Belimed Infection Control 1535 HOBBY STREET SUITE 103 N. CHARLESTON, SC 29405 TEL: (800) 457-4117 WWW.BELIMED.COM	CUT-ELD-90	ELD 90 ELECTRIC STEAM GENERATOR TYPICAL INSTALLATION OF AN ELD 90 ELECTRIC STEAM GENERATOR	DRAWN BY: H. JACOBSON	
	REV: B		SCALE: NONE	
	3D VIEW		DATE: 03/03/23	PAGE: 01 of 05



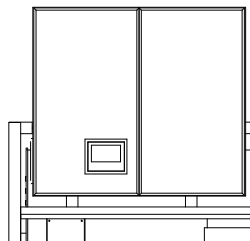
2
02

3
02

UTILITY ROUGH-IN BY OTHERS



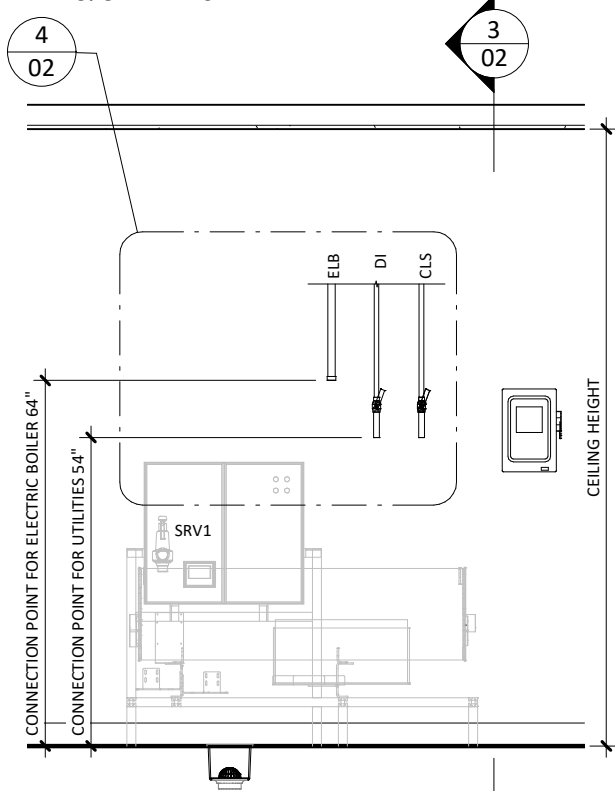
DI - DEIONIZED WATER
CLS - CLEAN STEAM
ELB - ELECTRIC FOR BOILER
☉ CHECK VALVE, BY OTHERS.



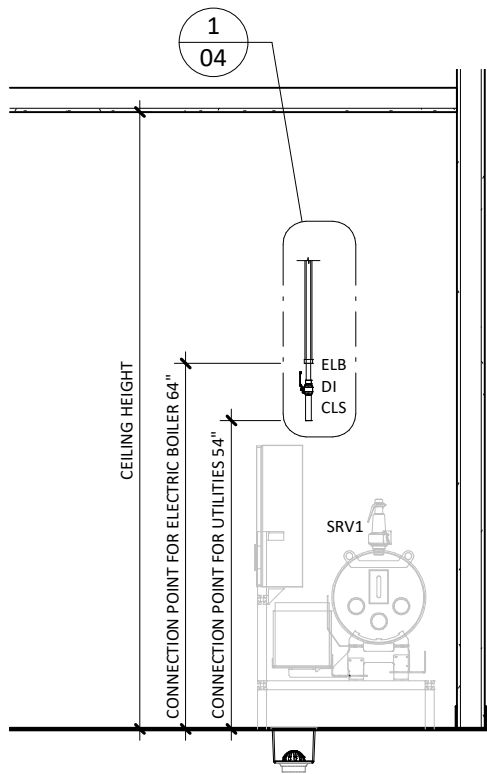
1. REFER TO EQUIPMENT, PLUMBING, MECHANICAL AND ELECTRICAL PLANS FOR UTILITY LOCATIONS.
2. SEE TECHNICAL SPECIFICATIONS FOR UTILITY SIZING, INPUT REQUIREMENTS, & FINAL CONNECTIONS. REFER TO LOCAL BUILDING CODES AND/OR SEISMIC ANCHORAGE REQUIREMENTS FOR FINAL ATTACHMENT METHOD.
3. CHECK VALVE TO BE PROVIDED AND INSTALLED BY OTHERS ON OUPUT STEAM LINE OF EACH UNIT WHEN MULTIPLE UNITS ARE CONNECTED TOGETHER.

1 UTILITY LAYOUT
3/8" = 1'-0"

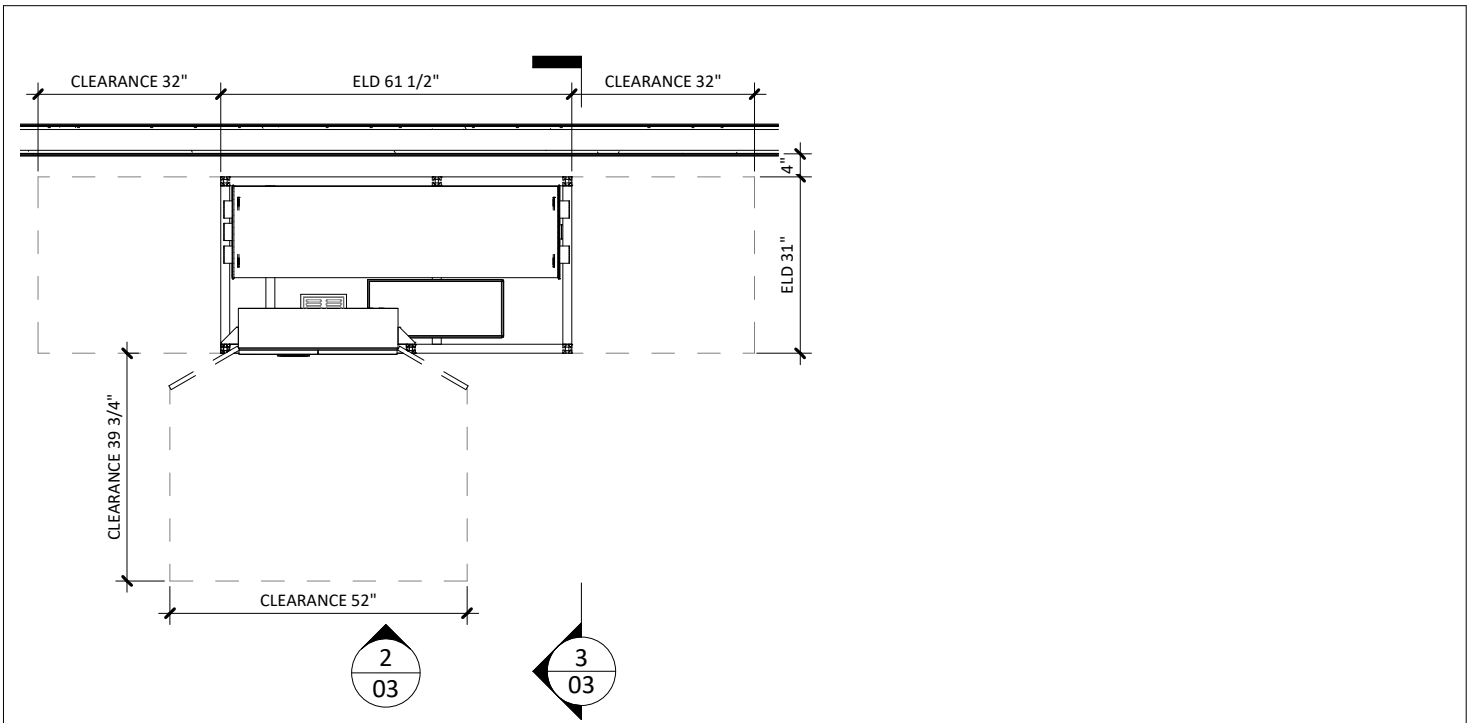
4 UTILITY LAYOUT
1/2" = 1'-0"



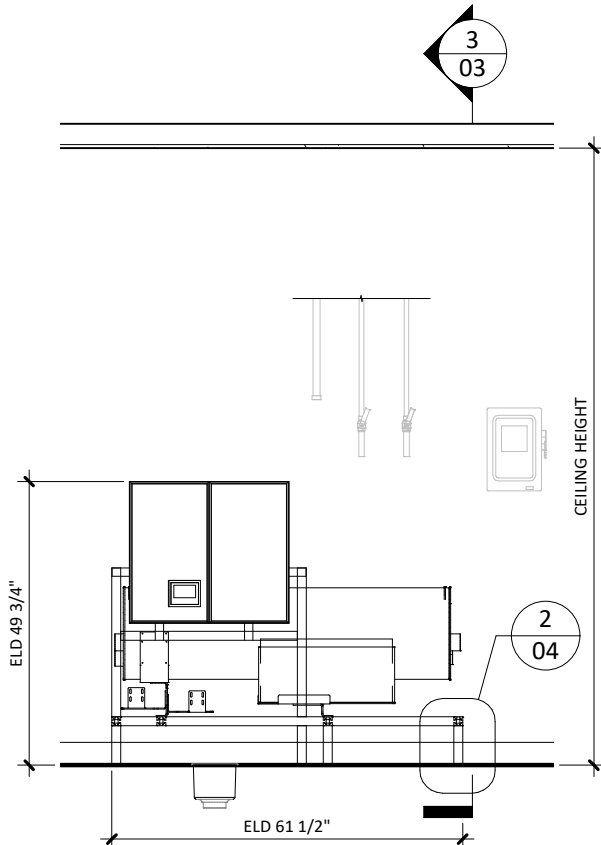
2 UTILITY FRONT ELEVATION
3/8" = 1'-0"



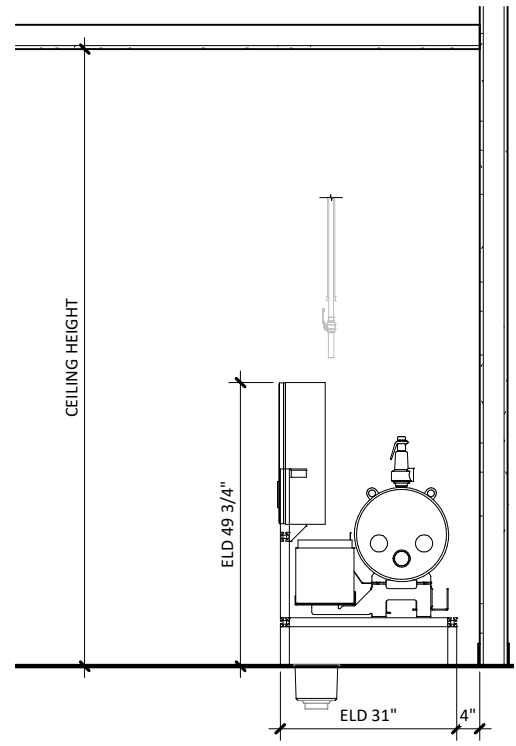
3 UTILITY SIDE ELEVATION
3/8" = 1'-0"



1 EQUIPMENT PLACEMENT PLAN
3/8" = 1'-0"

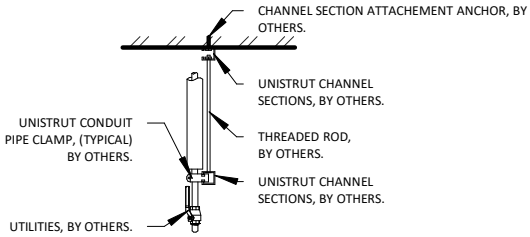


2 EQUIPMENT FRONT ELEVATION
3/8" = 1'-0"



3 EQUIPMENT SIDE ELEVATION
3/8" = 1'-0"

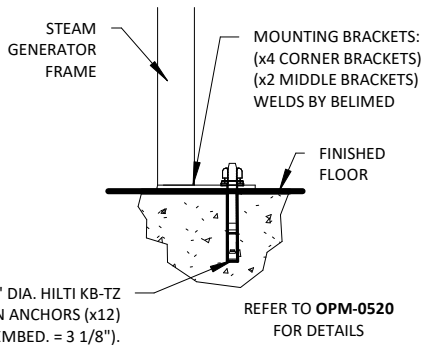
<p>1535 HOBBY STREET SUITE 103 N. CHARLESTON, SC 29405 TEL: (800) 457-4117 WWW.BELIMED.COM</p>	CUT-ELD-90	ELD 90 ELECTRIC STEAM GENERATOR	DRAWN BY: H. JACOBSON	
	REV: B		TYPICAL EQUIPMENT LAYOUT OF AN ELD 90 ELECTRIC STEAM GENERATOR	SCALE: 3/8" = 1'-0"
	TECHNICAL DRAWING	DATE: 03/03/23		PAGE: 03 of 05



NOTE: REFER TO LOCAL BUILDING CODES AND/OR SEISMIC ANCHORAGE REQUIREMENTS FOR FINAL ATTACHMENT METHOD.

1. UTILITY ATTACHMENT ASSEMBLY SHALL FALL WITHIN THE FOOT PRINT OF THE SPECIFIED EQUIPMENT.
2. REFER TO EQUIPMENT PLUMBING, MECHANICAL AND ELECTRICAL PLANS FOR UTILITY LOCATIONS.
3. SEE TECHNICAL SPECIFICATIONS FOR UTILITY SIZING, INPUT REQUIREMENTS, AND FINAL CONNECTIONS.

1 TYP. UTILITY ATTACHMENT - CEILING
1/2" = 1'-0"



2 90 ELD/WTD SEISMIC ANCHORING DETAIL
1" = 1'-0"

<p>1535 HOBBY STREET SUITE 103 N. CHARLESTON, SC 29405 TEL: (800) 457-4117 WWW.BELIMED.COM</p>	CUT-ELD-90	ELD 90 ELECTRIC STEAM GENERATOR	DRAWN BY: H. JACOBSON	
	REV: B		BELIMED EQUIPMENT TYPICAL DETAILS	SCALE: AS INDICATED
	TECHNICAL DRAWING			DATE: 03/03/23

ELD 90 ELECTRIC STEAM GENERATOR - TECHNICAL SPECIFICATIONS

REQUIRED INPUTS

Symbol	Description	Value	Utility Notes	Connection Method	Final Utility Conn. By:		
					Others	Belimed	
TW	Utility:	Deionized Water		Deionized/RO water to produce clean steam. Minimum Water Quality Specifications: Conductivity (µS/cm) ≤ 5 pH < 5.0 - 7.5 Hardness (mmol/L) ≤ 0.02 Chlorides (ppm) ≤ 0.5	Flex		X
	Connection Size:	1/2 in					
	Building-Side Conn. Type:	FNPT					
	Pressure:	Min: 29.0 psig	Max: 72.5 psig				
	Operating Consumption:	1.8 gal/min					
Operating Temperature:	Min: 41.0°F	Max: 95.0°F					
EL	Utility:	Electric		Service disconnect provided by others per local code.	Hard Wire		X
	Connection Size:	1 1/2 in / EMT					
	Voltage (Nominal):	480 VAC					
	Voltage (Phase):	3 Phase					
	Voltage (Frequency):	60 Hz					
	Circuit Protection:	150 Amps					
	Current (Nominal):	120 Amps					
Peak Consumption:	94.8 kW						

STEAM OUTPUT

CLS	Utility:	Clean Steam Supply		Provide stainless steel piping routed from heat exchanger to equipment. Others are responsible for proper steam pipe insulation. Stainless steel pipe is 1 1/4"Ø.	Hard Pipe		X
	Connection Size:	1 1/4 in					
	Building-Side Conn. Type:	FNPT					
	Output Pressure:	Min: 44.2 psig	Max: 50.0 psig				
Capacity:	11.7 lbs/min						

ESTIMATED EMISSIONS

DR	Utility:	Open Drain		Provide drain pipe leading from heat exchanger to nearby drain. If there is no existing drain in the area, a new floor drain with trap must be provided.	3/4" Copper Pipe		X
	Connection Size:	3/4 in					
	Building-Side Conn. Type:	FNPT					
	Discharge/Flow Rate:	2.9 gal/min					
	Connection Type:	Indirect Drain					
Max. Discharge Temp.:	140°F						
SRV1	Utility:	Safety Relief Valve		Provide connection to safety relief valve and pipe to drain, atmosphere, or as required by local code.	Hard Pipe w/ Union		X
	Connection Size:	3/4 in					
	Building-Side Conn. Type:	MNPT					
	Medium:	Heat Radiation					
	Radiation (Net):	1.0 kW					

PHYSICAL SPECIFICATIONS

	Parameter:	Carry-In Dimensions¹	Minimum Room Requirements	¹ Machine alone (i.e. removed from packaging)
	Height:	50.0 in	57.9 in	
	Width:	31.5 in	63.0 in	
	Length:	61.4 in	124.4 in	
	Parameter:	Weights		
	Transport Weight:	608.5 lbs	Transport Weight = (Empty Pressure Vessel + Crating)	
	Operating Weight:	823.6 lbs	Operating Weight = (Pressure Vessel filled with Water)	
	OSH PD NUMBER:	OPM-0520-13		

Additional Information:

MNPT = Male pipe thread

FNPT = Female pipe thread

Service valves for steam and water to be provided by others.

All utility supplies and connections, including final connections from service valves to equipment, are to be provided by others, per local code.

Check valve to be provided and installed by others on output steam line of each unit when multiple units are connected together.

All Belimed Equipment must be on and active prior to space balancing. Ambient conditions must not exceed 104°F.

TS-ELD-90_RevC