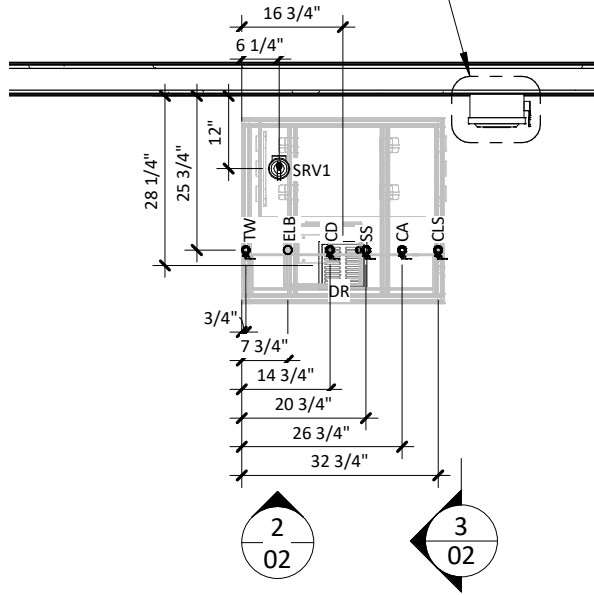
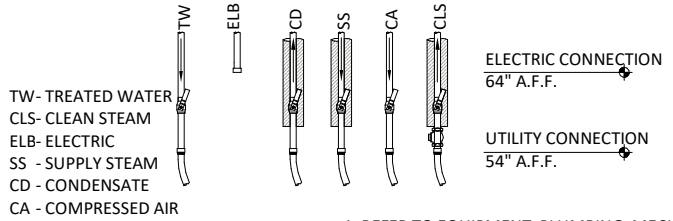


CONSULT BELIMED PRIOR TO INSTALLING SERVICE DISCONNECT IN FINAL LOCATION. SERVICE DISCONNECTS TO BE PROVIDED & INSTALLED BY OTHERS PER LOCAL CODE.



UTILITY ROUGH-IN BY OTHERS



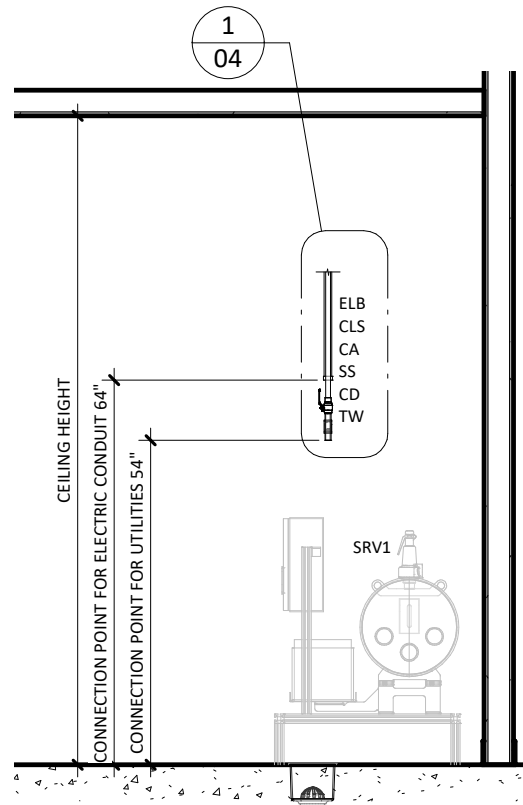
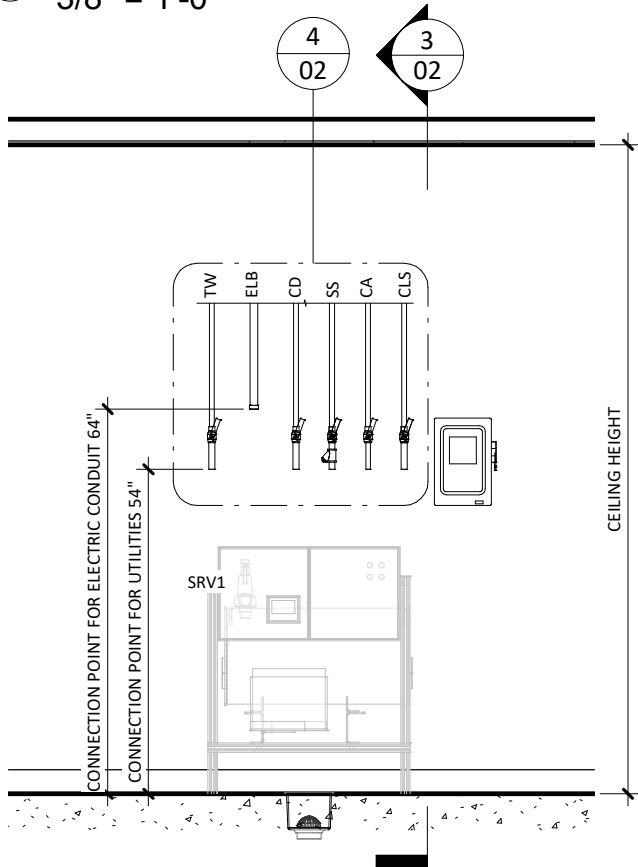
- REFER TO EQUIPMENT, PLUMBING, MECHANICAL AND ELECTRICAL PLANS FOR UTILITY LOCATIONS.
- SEE TECHNICAL SPECIFICATIONS FOR UTILITY SIZING, INPUT REQUIREMENTS, & FINAL CONNECTIONS. REFER TO LOCAL BUILDING CODES AND/OR SEISMIC ANCHORAGE REQUIREMENTS FOR FINAL ATTACHMENT METHOD.
- CHECK VALVE TO BE PROVIDED AND INSTALLED BY OTHERS ON OUTPUT STEAM LINE OF EACH UNIT WHEN MULTIPLE UNITS ARE CONNECTED TOGETHER.

WTD ELECTRIC GENERATOR TYP.

UTILITY LAYOUT

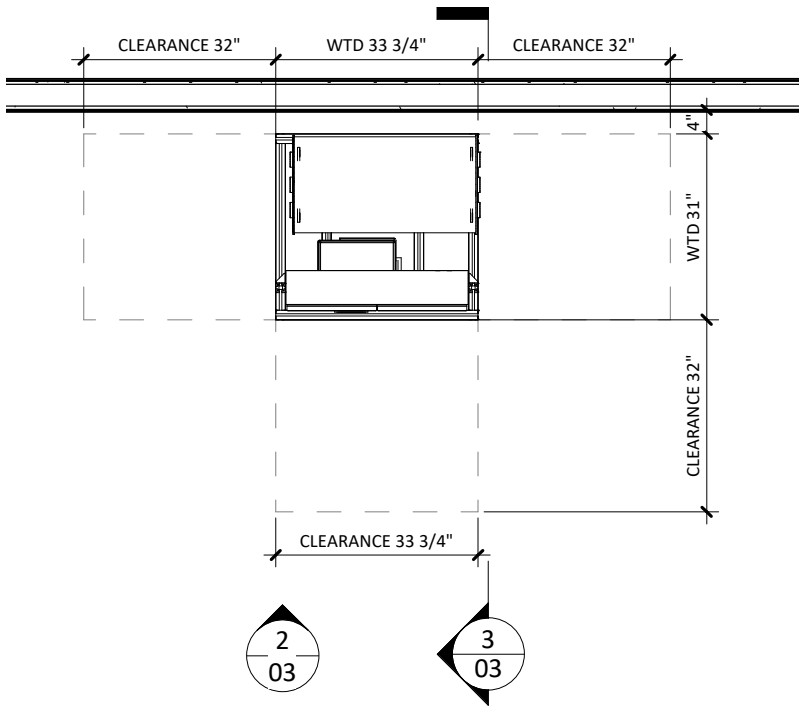
1 UTILITY LAYOUT  
3/8" = 1'-0"

4 UTILITY LAYOUT  
1/2" = 1'-0"

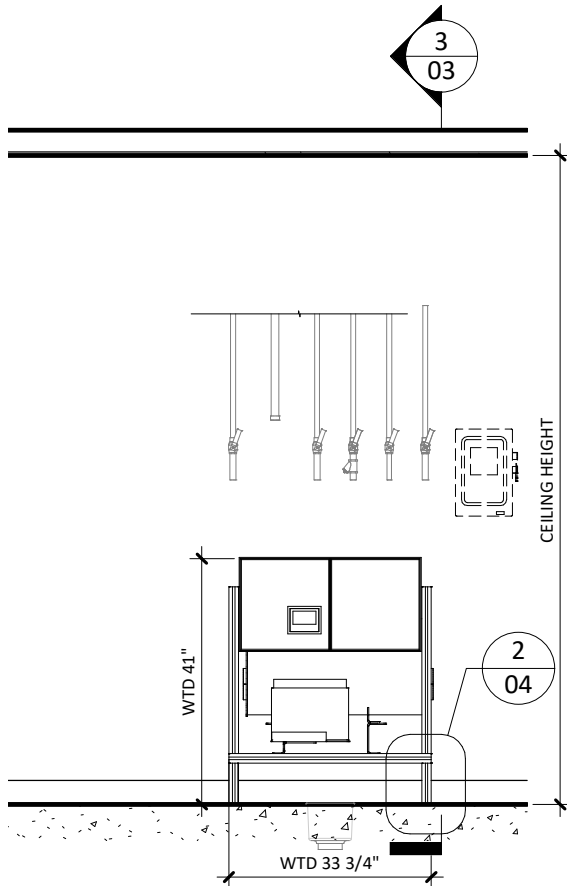


2 UTILITY FRONT ELEVATION  
3/8" = 1'-0"

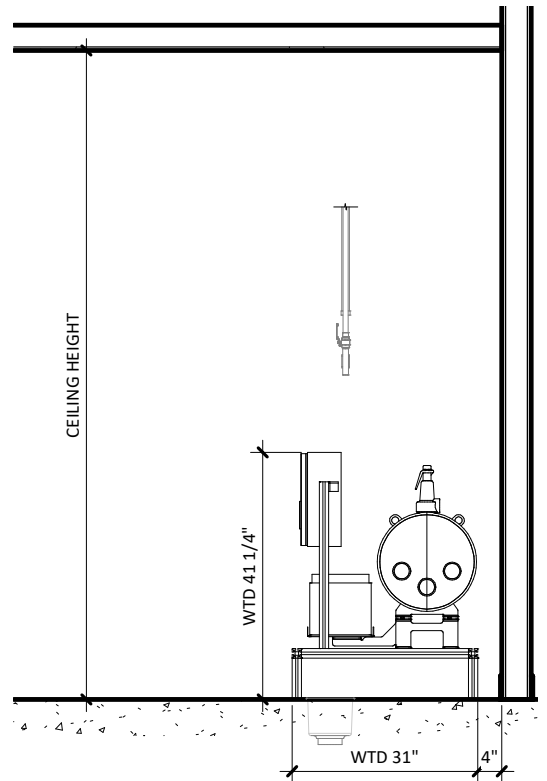
3 UTILITY SIDE ELEVATION  
3/8" = 1'-0"



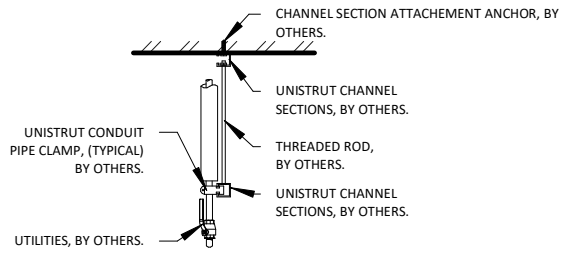
1 EQUIPMENT PLACEMENT PLAN  
3/8" = 1'-0"



2 EQUIPMENT FRONT ELEVATION  
3/8" = 1'-0"



3 EQUIPMENT SIDE ELEVATION  
3/8" = 1'-0"



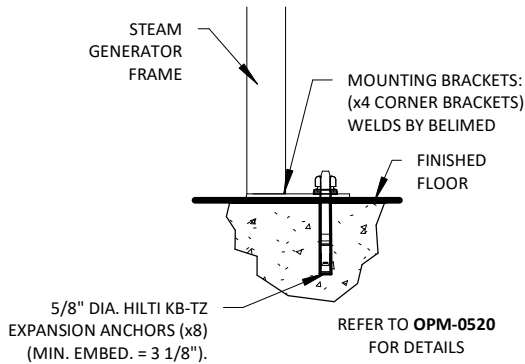
NOTE: REFER TO LOCAL BUILDING CODES AND/OR SEISMIC ANCHORAGE REQUIREMENTS FOR FINAL ATTACHMENT METHOD.

1. UTILITY ATTACHMENT ASSEMBLY SHALL FALL WITHIN THE FOOT PRINT OF THE SPECIFIED EQUIPMENT.

2. REFER TO EQUIPMENT PLUMBING, MECHANICAL AND ELECTRICAL PLANS FOR UTILITY LOCATIONS.

3. SEE TECHNICAL SPECIFICATIONS FOR UTILITY SIZING, INPUT REQUIREMENTS, AND FINAL CONNECTIONS.

1 TYP. UTILITY ATTACHMENT - CEILING  
1/2" = 1'-0"



2 30 WTD SEISMIC ANCHORING DETAIL  
1" = 1'-0"

# WTD 30 STEAM GENERATOR - TECHNICAL SPECIFICATIONS

## REQUIRED INPUTS

Symbol	Description	Value	Utility Notes	Connection Method	Final Utility Conn. By:	
					Others	Belimed
SS	Utility:	<b>Steam Supply</b>		Hard Pipe	X	
	Connection Size:	3/4 in				
	Connection Type:	FNPT				
	Pressure:	Min: 87.0 psig	Max: 145.0 psig			
Operating Consumption:		2.0 lbs/min - 7.4 lbs/min				
TW	Utility:	<b>Treated Water</b>		Flex		X
	Connection Size:	1/2 in				
	Connection Type:	FNPT				
	Pressure:	Min: 30.0 psig	Max: 70.0 psig			
	Operating Consumption:	1.8 gal/min				
Operating Temperature:		Min: 41.0°F	Max: 95.0°F			
CA	Utility:	<b>Compressed Air</b>		Flex		X
	Connection Size:	1/4 in				
	Connection Type:	MNPT				
	Pressure:	Min: 70.0 psig	Max: 100.0 psig			
Operating Consumption:		4.1 cfm				
EL	Utility:	<b>Electric</b>		Hard Wire	X	
	Connection Size:	1/2 in EMT	1/2 in EMT			
	Voltage (Nominal):	208 VAC	480 VAC			
	Voltage (Phase):	3 Phase	3 Phase			
	Voltage (Frequency):	60 Hz	60 Hz			
	Circuit Protection:	20 Amps	15 Amps			
	Current (Nominal):	13 Amps	7 Amps			
Peak Consumption:	2.6 kW	2.6 kW				

## STEAM OUTPUT

CLS	Utility:	<b>Clean Steam Supply</b>		Hard Pipe	X	
	Connection Size:	1 1/4 in				
	Connection Type:	FNPT				
	Output Pressure:	Min: 44.2 psig	Max: 50.0 psig			
	Capacity:	2.0 lbs/min - 5.6 lbs/min				

## ESTIMATED EMISSIONS

CD	Utility:	<b>Condensate</b>		Hard Pipe	X	
	Connection Size:	3/4 in				
	Connection Type:	FNPT				
DR	Utility:	<b>Open Drain</b>		3/4" Copper Pipe	X	
	Connection Size:	3/4 in FNPT				
	Discharge/Flow Rate:	2.9 gal/min				
	Connection Type:	Indirect Drain				
Max. Discharge Temp.:		140°F				
SRV1	Utility:	<b>Safety Relief Valve</b>		Hard Pipe w/ Union	X	
	Connection Size:	1 1/2 in				
	Connection Type:	MNPT				
Medium:		<b>Heat Radiation</b>				
Radiation (Net):		1 kW				

## PHYSICAL SPECIFICATIONS

Parameter:	Carry-In Dimensions <sup>1</sup>	Minimum Room Requirements	
Height:	47.2 in	49.3 in	<sup>1</sup> Machine alone (i.e. removed from packaging)
Width:	31.5 in	63.0 in	
Length:	47.2 in	84.8 in	
Parameter:	Weights		
Transport Weight:	426.4 lbs		Transport Weight = (Empty Pressure Vessel + Crating) Operating Weight = (Pressure Vessel filled with Water)
Operating Weight:	526.7 lbs		
HCAI NUMBER:	OPM-0520-13		

Additional Information:

MNPT = Male pipe thread

Service valves for steam and water to be provided by others.

All utility supplies and connections, including final connections from service valves to equipment, are to be provided by others, per local code.

Check valve to be provided and installed by others on output steam line of each unit when multiple units are connected together.

All Belimed Equipment must be on and active prior to space balancing. Ambient conditions must not exceed 104°F.

TS-WTD-30\_RevA