

ELECTRIC CONDUIT, BY OTHERS

DEIONIZED WATER, BY OTHERS

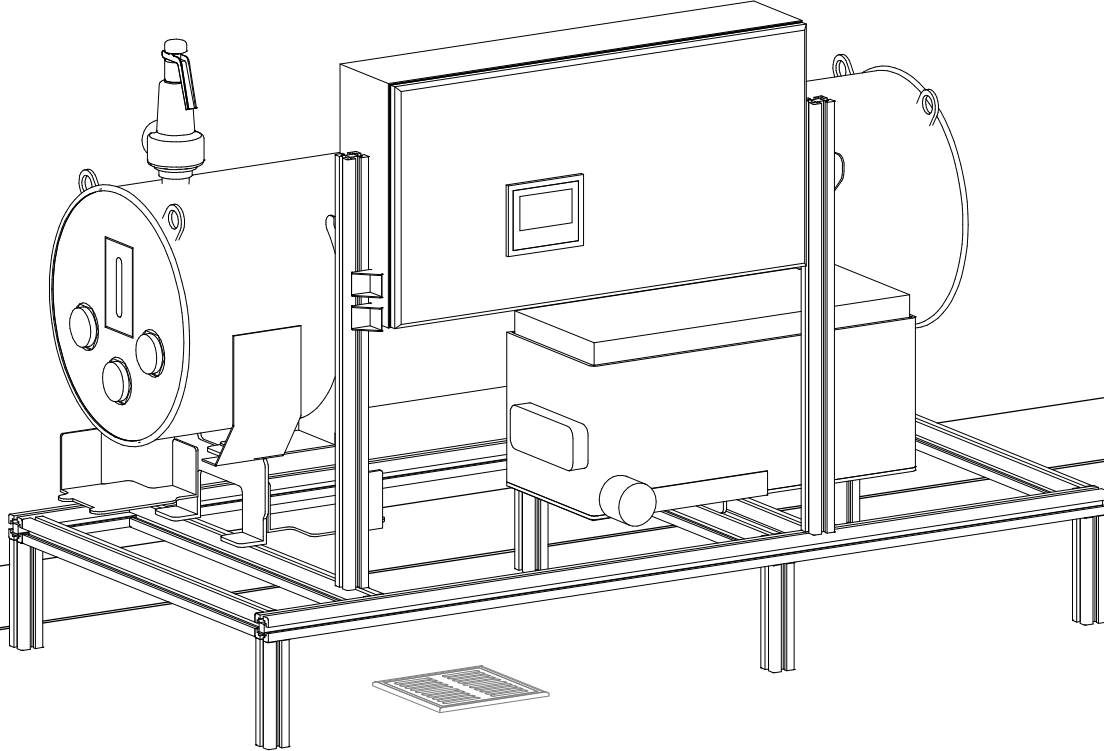
CLEAN STEAM OUTPUT, BY OTHERS

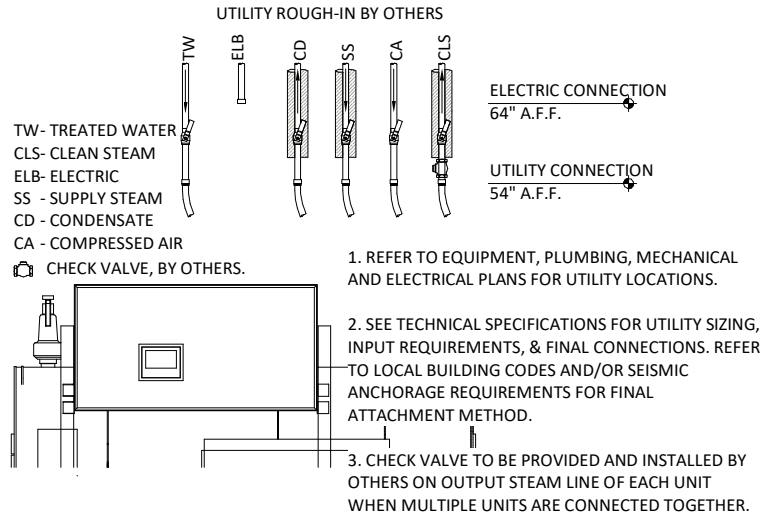
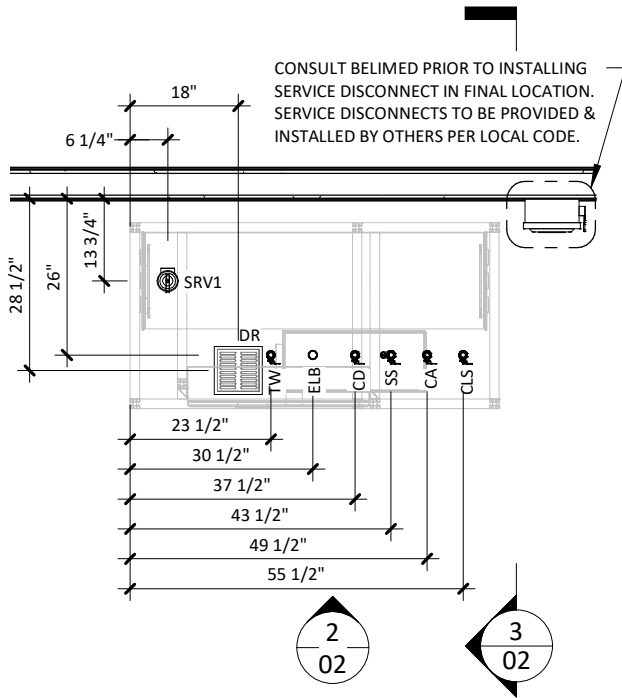
SERVICE DISCONNECT, BY OTHERS

COMPRESSED AIR, BY OTHERS

SUPPLY STEAM, BY OTHERS

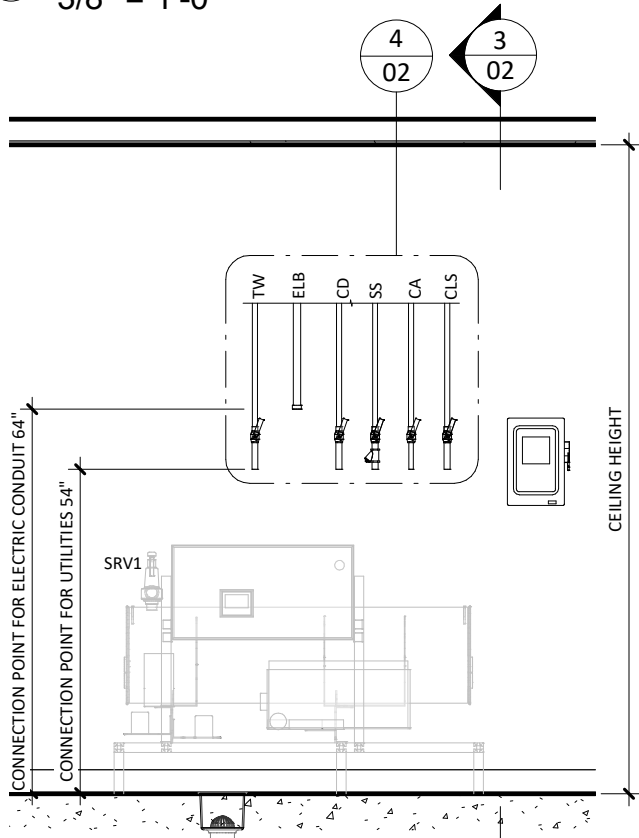
CONDENSATE, BY OTHERS



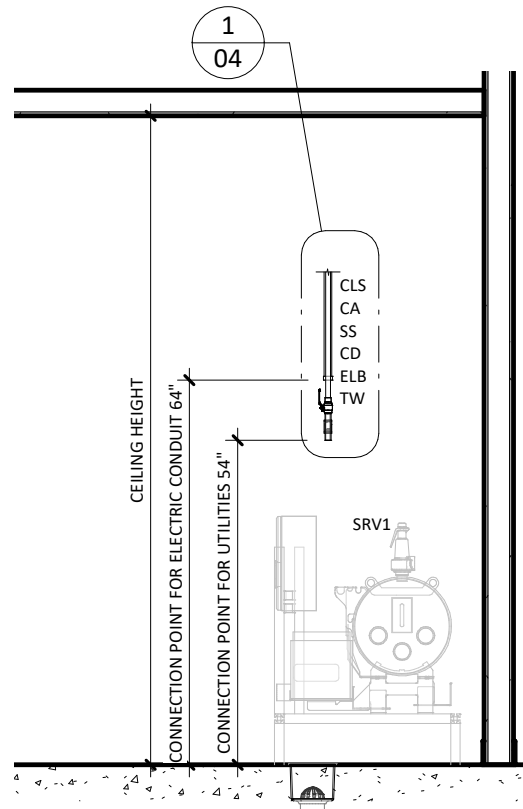


1 UTILITY LAYOUT
3/8" = 1'-0"

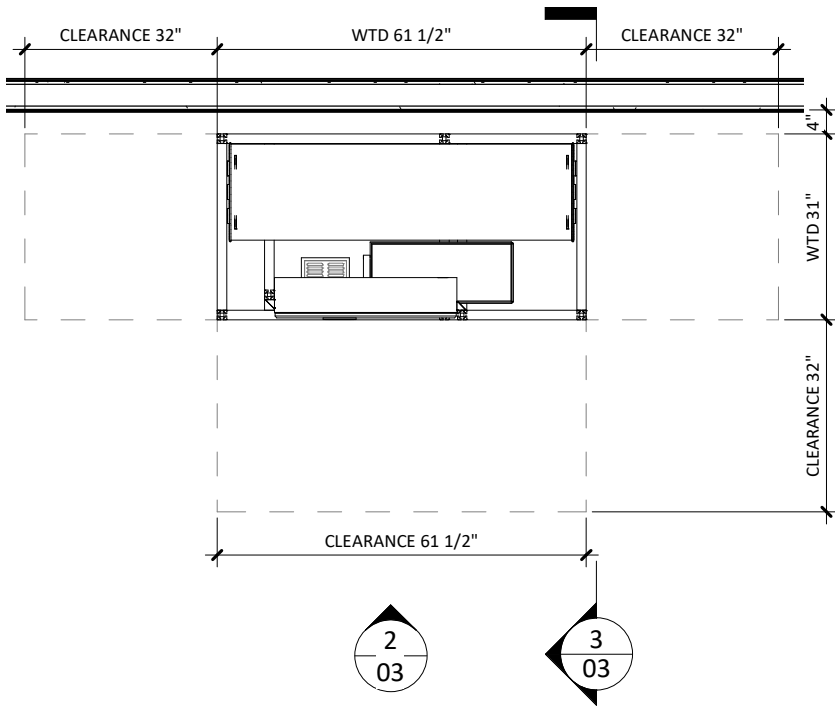
4 WTD ELECTRIC GENERATOR TYP. UTILITY LAYOUT
1/2" = 1'-0"



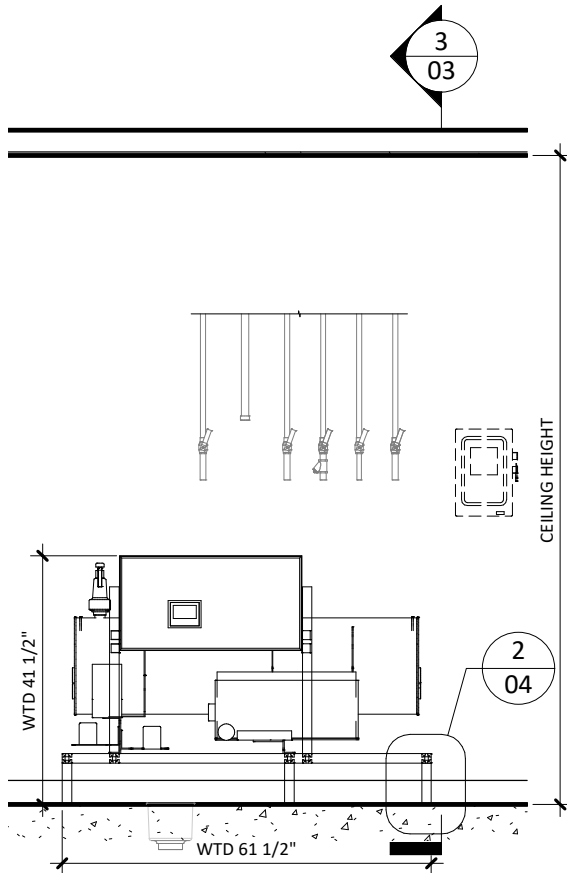
2 UTILITY FRONT ELEVATION
3/8" = 1'-0"



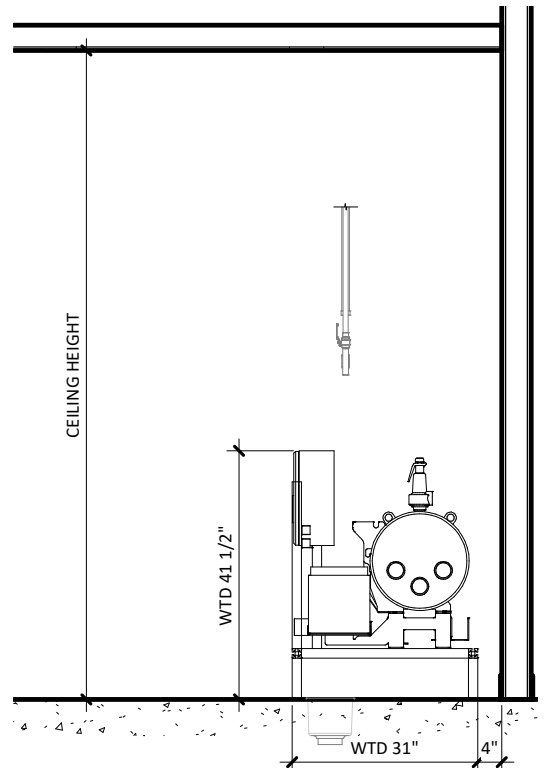
3 UTILITY SIDE ELEVATION
3/8" = 1'-0"



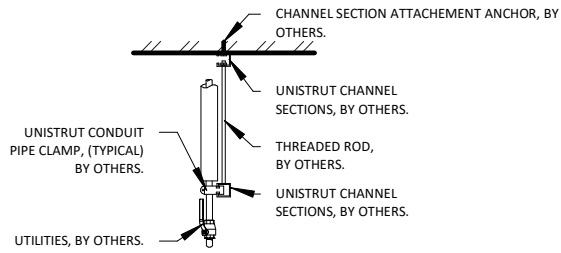
1 EQUIPMENT PLACEMENT PLAN
3/8" = 1'-0"



2 EQUIPMENT FRONT ELEVATION
3/8" = 1'-0"



3 EQUIPMENT SIDE ELEVATION
3/8" = 1'-0"

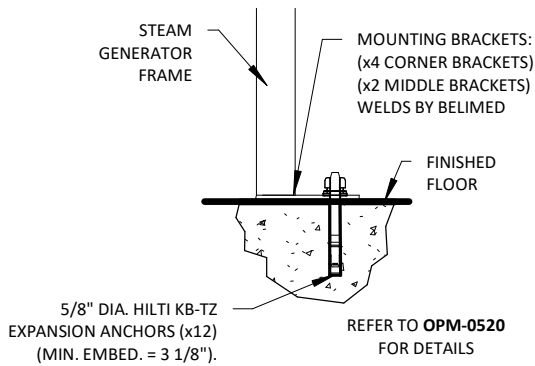


NOTE: REFER TO LOCAL BUILDING CODES AND/OR SEISMIC ANCHORAGE REQUIREMENTS FOR FINAL ATTACHMENT METHOD.

1. UTILITY ATTACHMENT ASSEMBLY SHALL FALL WITHIN THE FOOT PRINT OF THE SPECIFIED EQUIPMENT.
2. REFER TO EQUIPMENT PLUMBING, MECHANICAL AND ELECTRICAL PLANS FOR UTILITY LOCATIONS.
3. SEE TECHNICAL SPECIFICATIONS FOR UTILITY SIZING, INPUT REQUIREMENTS, AND FINAL CONNECTIONS.

1 TYP. UTILITY ATTACHMENT - CEILING

1/2" = 1'-0"



2 90 WTD SEISMIC ANCHORING DETAIL

1" = 1'-0"

WTD 90 STEAM GENERATOR - TECHNICAL SPECIFICATIONS

REQUIRED INPUTS

Symbol	Description	Value	Utility Notes	Connection Method	Final Utility Conn. By:	
					Others	Belimed
SS	Utility:	Steam Supply		Hard Pipe	X	
	Connection Size:	3/4 in				
	Connection Type:	FNPT				
	Pressure:	Min: 87.0 psig	Max: 145.0 psig			
	Operating Consumption:	Min: 8.4 lb/min	Min: 17.8 lb/min			
TW	Utility:	Treated Water		Flex		X
	Connection Size:	1/2 in				
	Connection Type:	FNPT				
	Pressure:	Min: 30.0 psig	Max: 70.0 psig			
	Operating Consumption:	1.8 gal/min				
	Operating Temperature:	Min: 41.0°F	Max: 95.0°F			
CA	Utility:	Compressed Air		Flex		X
	Connection Size:	1/4 in				
	Connection Type:	MNPT				
	Pressure:	Min: 70.0 psig	Max: 100.0 psig			
	Operating Consumption:	4.1 cfm				
EL	Utility:	Electric		Hard Wire	X	
	Connection Size:	1/2 in / EMT				
	Voltage (Nominal):	480 VAC				
	Voltage (Phase):	3 Phase				
	Voltage (Frequency):	60 Hz				
	Circuit Protection:	16 Amps				
	Current (Nominal):	11 Amps				
Peak Consumption:	4.8 kW					

STEAM OUTPUT

CLS	Utility:	Clean Steam Supply		Hard Pipe	X	
	Connection Size:	1 1/4 in				
	Connection Type:	MNPT				
	Output Pressure:	Min: 44.2 psig	Max: 50.0 psig			
	Capacity:	6.4 lbs/min - 13.4 lbs/min				

ESTIMATED EMISSIONS

CD	Utility:	Condensate		Hard Pipe	X	
	Connection Size:	3/4 in				
	Connection Type:	FNPT				
DR	Utility:	Open Drain		3/4" Copper Pipe	X	
	Connection Size:	1/2 in				
	Discharge/Flow Rate:	2.9 gal/min				
	Connection Type:	Indirect Drain				
	Max. Discharge Temp.:	140°F				
SRV1	Utility:	Safety Relief Valve		Hard Pipe w/ Union	X	
	Connection Size:	1 1/2 in				
	Connection Type:	MNPT				
	Medium:	Heat Radiation				
	Radiation (Net):	1.2 kW				

PHYSICAL SPECIFICATIONS

	Parameter:	Carry-In Dimensions¹	Minimum Room Requirements	¹ Machine alone (i.e. removed from packaging)
	Height:	47.2 in	49.3 in	
	Width:	39.4 in	63.0 in	
	Length:	66.9 in	124.4 in	
	Parameter:	Weights		Transport Weight = (Empty Pressure Vessel + Crating) Operating Weight = (Pressure Vessel filled with Water)
	Transport Weight:	566.6 lbs		
	Operating Weight:	781.8 lbs		
	HCAI NUMBER:	OPM-0520-13		

Additional Information:

MNPT = Male pipe thread

Service valves for steam and water to be provided by others.

All utility supplies and connections, including final connections from service valves to equipment, are to be provided by others, per local code.

Check valve to be provided and installed by others on output steam line of each unit when multiple units are connected together.

All Belimed Equipment must be on and active prior to space balancing. Ambient conditions must not exceed 104°F.

TS-WTD-90_RevB